

CORROSION RESISTANT PRESSURE GAUGES

Diaphragm Seal Silicone Oil Filled Model (PGF-60PP)

FEATURES

- HIGH STRENGTH HIGH IMPACT HOUSING
- POLYPROPYLENE CONSTRUCTION
- BUILT-IN VITON DIAPHRAGM SEAL
- ACRYLIC LENS
- HIGH ACCURACY SCALE
- SILICONE OIL FILLED

APPLICATIONS

- BORE WATER & SEA WATER
- CORROSIVE FLUIDS & ACIDS
- WATER TREATMENT PLANTS
- FILTRATION & POOL SYSTEMS
- AIR & GAS SYSTEMS
- DIRTY WATER & EFFLUENT

SPECIFICATION

SIZE : 60mm

ACCURACY : +/-1.5% Full Scale

DUAL SCALE PRESSURE RANGE : 0-10 Kg/cm² (0-150 psi)
0-20 Kg/cm² (0-300 psi)

CONNECTION SIZE : ½" BSP female

WORKING TEMPERATURE : -20 to 60°C

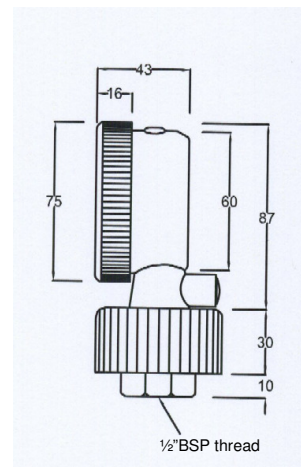
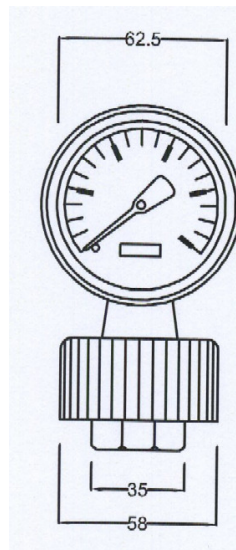
DIAPHRAGM MEBRANE MATERIEAL : Viton



INTRODUCTION

The Kelco/New-Flow pressure gauge is a unique pressure sensor that incorporates a high quality bourdon tube mechanism with a Viton diaphragm seal. The result is a pressure gauge that can be used reliably in applications where conventional pressure gauges would fail. In situations where corrosive or aggressive liquid is being processed, the outstanding chemical resistance of Viton and polypropylene combined with the proven advantages of a silicone oil buffer make for a very long service life even in the most difficult applications.

The PGF-60PP is a silicone oil filled gauge that is suitable for applications where vibration or rapidly fluctuating pressure changes are present. The silicone oil acts as a dampener and ensures smooth operation of the gauge and a long service life.



DISTRIBUTED IN NEW ZEALAND BY :

KELCO PRODUCTS LIMITED

2804 State Highway 10
RD 2, Kerikeri 0295

PLEASE NOTE : Kelco Products Limited reserves the right to change the specification of this product without notice. Kelco Products Limited accepts no liability for personal injury or economic loss as a consequence of the use of this product. All rights reserved copyright Kelco Products Limited © 2011.